

1080A Deadlock



Mechanical Locks

Mechanical Locks

1080A Deadlock



STANDARD FEATURES

- Manual deadlock
- Six heavy-duty tumblers
- Mounting fasteners

APPLICATION

For swinging cell, corridor, storage room and high security doors where slamlocking is not required.

FUNCTION

Key activated locking and unlocking. Deadlocks in both locked and unlocked position.

OPTIONAL FEATURES

HOLLOW METAL MOUNTING - Used for hollow metal door application. Specify "HM."

GRATING DOOR MOUNTING - Used for grating door application. Specify "G."

PLATE DOOR MOUNTING - Used for steel plate door application. Specify "P." 470CL Bolt Keeper with switch.

GRATING DOOR MOUNTING - Used for grating door application. Specify "G."

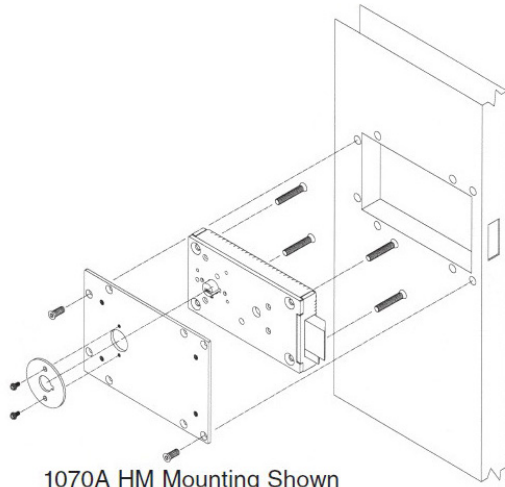
1080A-1: KEYED ONE SIDE
1080A-2: KEYED BOTH SIDES



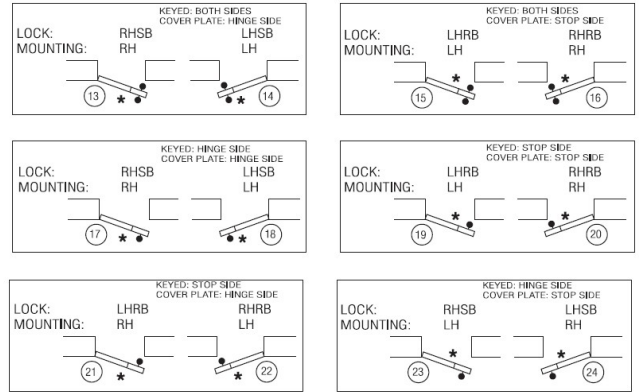
For More information please call 210-123-4567

Mechanical Locks

1080A Deadlock



1070A HM Mounting Shown



* Indicates lock mounting/access plate side.

Swing Chart: Specify circled swing number when ordering.

TECHNICAL DATA

Standard Finish	Galvanized
Cover	Steel
Case	Steel
Deadlock Actuator	2" H x 3/4" TK Stainless Steel
Paracentric Cylinder	Silicon bronze/ copper alloy
Tumblers	6 tumblers per lock
Lock Size	9" L x 5" H x 1-1/2" TK
Lock Weight	11 lbs
Lockbolt Size	2" H x 3/4" TK
Lockbolt Throw	3/4"
Latchbolt	Stainless steel with (2) 1/4" diameter case-hardened steel insert pins

ASTM F1577 Certified Impact Test-Grade 1

For More information please call 210-123-4567

